

## FORESTRY MULCHERS

# UMM/S - UMM/S/HP

### Forestry mulchers for PTO tractors with fixed tooth rotor.

High productivity, robustness and maneuverability are the main strengths of this mulcher with a fixed rotor system. The UMM/S is a very versatile model for tractors between 180 and 350 hp. It has a mulching capacity of up to 35 cm diameter material. The well distributed weight allows for great maneuverability also in steep and sloppy applications.

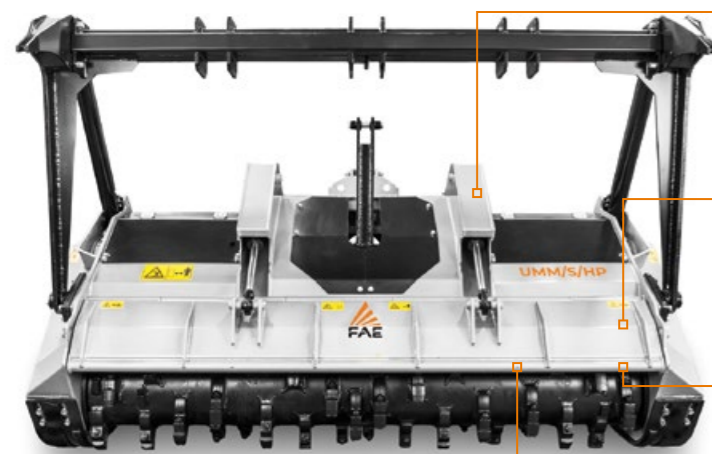
The alignment PTO system "W" connected to the central gearbox, allows for a wider working angle of the PTO shaft in all working conditions. This new model features the new counter-blade Spike PRO as standard equipment.



180-350 hp



Ø 35 cm max



**Cylinder protection**  
to prevent cylinder damage

**Reinforced hydraulic hood**  
helps provide a finer product while being more durable



**Spike PRO counter-blade**  
the distribution of the new Spike PRO counter-blades inside the shredding chamber guarantees a better finish of the mulched material



**Inner anti wear clad plates FCP**  
absorbs wear while protecting the frame

**Z style self ranging system of the PTO drive shaft/gearbox**  
always keeps the correct operating angle between the PTO shaft and the power take-off

**Bigger transmission**  
for tractors with power up to 350 hp

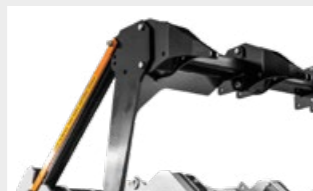
**Adjustable extended 3 point linkage**  
fits perfectly with any kind of tractor



## MAIN OPTIONS



**W style self aligning device between PTO drive shaft/gearbox**  
allows the mulcher to work at several angles without damaging the PTO



**Mechanical/hydraulic push frame**  
guides and pushes material away from carrier



**Additional ripper for push frame**  
helps with the positioning of standing material while mulching



**Standard hydraulic clutch transmission**  
protects the transmission at PTO engagement for smooth starting and improves machine performance

## STANDARD EQUIPMENT

Hydraulic rear hood	Gearbox with freewheel
Adjustable extended 3 point linkage	PTO shaft with cam clutch
Enclosed machine body	Bolted-on rotor shafts (in forged steel)
Centralized greasing hub	Hydraulic top link
Hydraulic hoses integrated in the frame	Z style self ranging system of the PTO drive shaft/gearbox
Cylinder protection	Interchangeable bolted on spike PRO counter-blade
Dual row protection chains	Adjustable skids
Transmission with belts	Supporting service leg

## OPTIONS

Bolt-on chain's protection plates	Special skids to go underground
Hydraulic clutch transmission (UMM/S - UMM/S/HP 225 - 250)	Mechanical guard frame
Multiple tooth options	Hydraulic guard frame
W style self aligning device between PTO drive shaft/gearbox	Extra ripper for guard frame

MODEL	UMM/S 200	UMM/S 225	UMM/S 250	UMM/S/HP 200	UMM/S/HP 225	UMM/S/HP 250
<b>Tractor (hp)</b>	180-280	190-280	200-280	180-350	190-350	200-350
<b>PTO (rpm)</b>	1000	1000	1000	1000	1000	1000
<b>Working width (mm)</b>	2064	2300	2540	2064	2304	2544
<b>Total width (mm)</b>	2494	2734	2974	2494	2734	2974
<b>Weight including rotor</b> type B/3 (kg)	2940	3070	3210	2980	3310	3450
type C/3 (kg)	3250	3360	3520	3280	3580	3870
<b>Rotor diameter (mm)</b>	595	595	595	595	595	595
<b>Max shredding diameter (mm)</b>	350	350	350	350	350	350
<b>No. teeth</b> type B/3+C/3/SS	72+2	80+2	92+2	72+2	80+2	92+2
type C/3+C/3/SS	44+2	50+2	56+2	44+2	50+2	56+2

Data refers to machine as standard. The technical data in this catalogue may be altered without prior notice.

## ROTOR TYPE B



**B/3**  
(standard)



**B/3/HD**  
(option)

## ROTOR TYPE C



**C/3**  
(standard)



**C/3/HD**  
(option)



**K/3**  
(option)



**C/3/SS**  
(side scraper)